

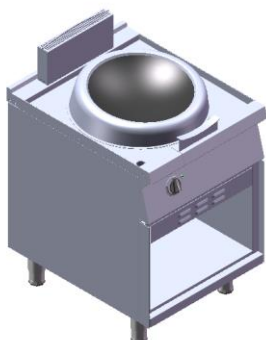


Total Food-Service Solutions

## Modular Cooking – Meritus 750

### Electric Wok Induction

#### NEWI 6-75 MR



\*Due to routine technical improvement, the photograph shown may not represent the latest design of the products.

#### AVAILABLE MODEL

1. NEWI 6-75 MR

#### DESCRIPTION

Electric Wok Induction with 5 kW power rate. It is equipped with Stainless Steel Wok Ring to prevent the cooking wok to damage the induction glass. Unit to be installed on cabinet or similar elements, cantilever, or solid block solutions. Featuring removable clip joint to connect Meritus family product.

ITEM# : \_\_\_\_\_

MODEL# : \_\_\_\_\_

NAME : \_\_\_\_\_

SN : \_\_\_\_\_

#### MAIN FEATURE

- Powerful 5 kW power rate.
- 6 mm Curved Wok Induction Glass
- 400 mm Coil Diameter.
- Stainless steel wok ring to prevent the cooking wok to damage the induction glass.
- Deep drawn top panel for maximum hygiene and operation.
- Unit to be installed free standing, can be joined with base cabinet, table stand or cantilever system.
- Service maintenance can be done from the front panel.

#### CONSTRUCTION

- All exterior panels in 304 type of Stainless Steel
- Orbital top panel anti-scratch finishing.
- Top and side are mounted by 1.5mm of Stainless Steel.
- Adjustable  $\pm 25$  mm Stainless Steel leg.
- Certified IPX4 protection.

#### INCLUDED ACCESSORIES

- N/A

#### OPTIONAL ACCESSORIES

- Clip plate for joining

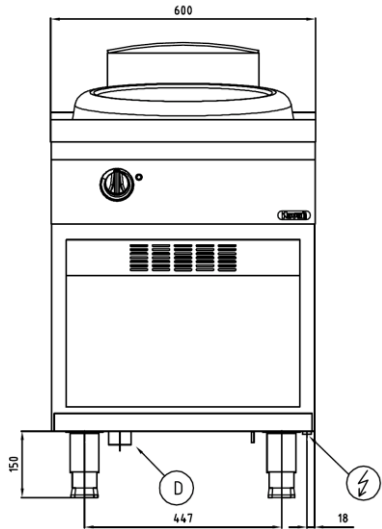
\_\_\_\_\_

The company reserves the right to make modifications to the products without prior notice. All information correct at time of printing.

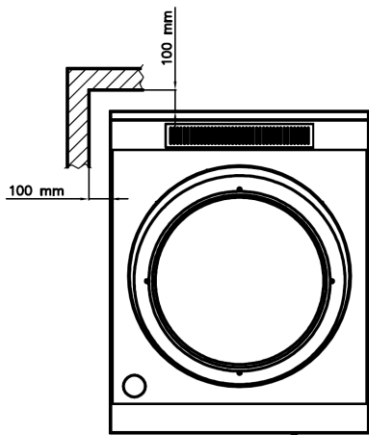
2018.08.11



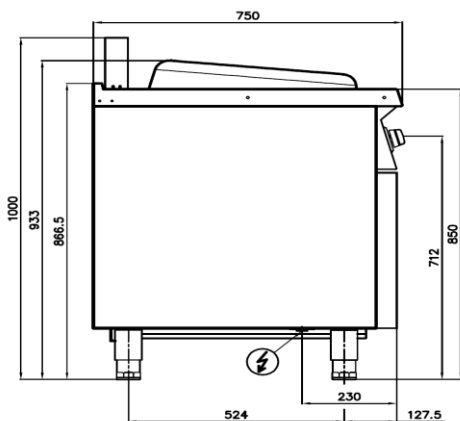
**FRONT**



**TOP**



**SIDE**



- Electric Connection
- Drainage 2"

\* Overall Dimension in mm

**ELECTRIC**

Electrical rating (kW)	:	5
Element rating (kW)	:	5
Electrical supply voltage	:	400V 3N
Required electrical supply (amps):	:	8

**KEY INFORMATION**

Unit Dimension (WxDxH)	:	600x750x850/1016.5 mm
Cooking Surface	:	Ø 400 mm
Direct heat emission	:	0.12 kW
Latent heat emission	:	0.05 kW
Steam emission	:	0.7 kW
Net Weight	:	57 kg

**PACKING DETAILS**

Shipping width	:	670 mm
Shipping depth	:	850 mm
Shipping height	:	1230 mm
Shipping volume	:	0.7 m <sup>3</sup>
Gross Weight	:	73 kg